



CARE INSTRUCTIONS

Daily cleaning can be done by wiping the frame with a clean dry cloth. Should the surface need more attention this can be cleaned with water and a light detergent or soap applied with a damp cloth. Wipe after with a clean dry cloth. Avoid any abrasive materials.

TROUBLESHOOTING

If lamp does not light, turn off the power. Check the bulb for a broken filament. Replace bulb if necessary, then turn it on. If the lamp still does not light, please contact customer service at the local dealer. If the external flexible cable or cord of this lamp is damaged, it must be replaced by a qualified electrician in order to avoid a hazard.

TECHNICAL INFORMATION

Light sources: 2x E27, Max. 10W LED, 810 Lumen.
Turn power off when changing light bulb. Isolation class II. The lamp is not approved for outdoor use or use in damp/wet rooms (IP20).

SAFETY INSTRUCTIONS

CAUTION: Keep lamp away from curtains, bedding linens, and any other flammable materials. Do not look directly at lighted bulb. Turn off / unplug and allow lamp to cool before replacing bulb, cleaning or other maintenance. Do not use in the bathroom or damp places.
Do not exceed recommended wattage.
In case of any doubt, please contact a qualified electrician.



For enquiries contact GUBI A/S - CVR: 17940384
Orientkaj 18-20. 2150 Nordhavn. Copenhagen, Denmark
T +45 69 15 60 60 – order@gubi.com
GUBI.COM

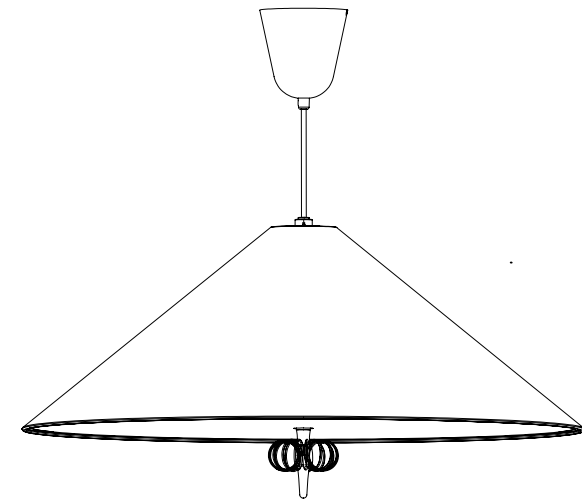
159-20-005-01 Assembly Instructions 1967 Pendant_EU

GUBI

ASSEMBLY INSTRUCTIONS

for

1967 Pendant

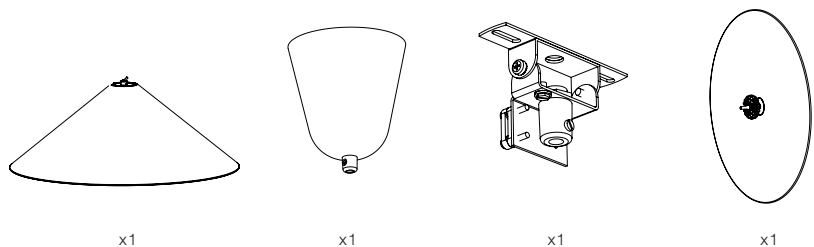


GUBI

ASSEMBLY INSTRUCTIONS

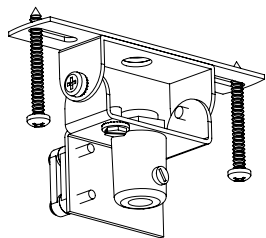
CONTENTS

1967 Pendant



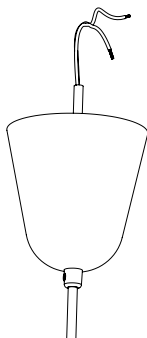
1.

Attach ceiling bracket to the built-in outlet or directly on the ceiling with proper screws.



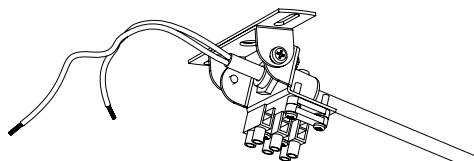
2.

Pull cable through the canopy.



3.

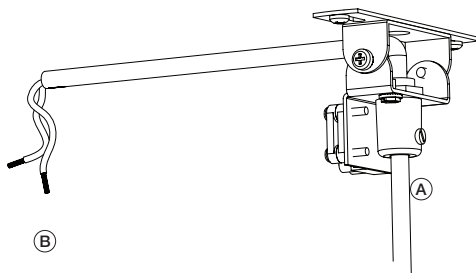
Pull the cable through the cable clamp in the ceiling bracket.



4.

When the right height for the pendant has been found lock the side screw on the cable clamp (A).

If connecting to mains outside the canopy connect pendant directly to the outlet (B).

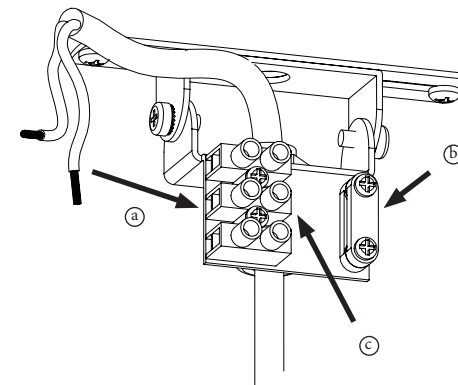


5.

Or cut lamp cable off and connect to the mains cables with the screw terminals (a). Remember to connect all grounding wires.

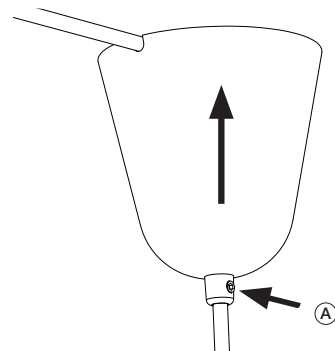
Do not forget to secure the mains cable in the cable clamp (b).

If ceiling bracket is mounted on a built-in outlet cut lamp cable off and connect to terminal connector (a). Connect mains wires to the other side of the terminal connector (c).



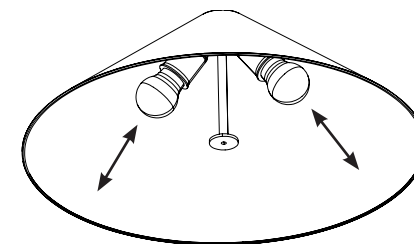
6.

Slide the canopy up the cable and push it against the ceiling while securing it with the side screw (A).



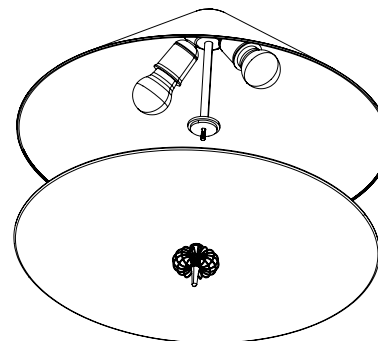
7.

Insert light bulbs in the lamp.



8.

Lift the fabric disc with two hands and place it in the center of the lamp. You will hear a click when the disc is in place.



9.

Turn the center handle to secure the fabric diffuser to the lamp.

